

ASUTOSH COLLEGE
(Affiliated to University of Calcutta)

Semester I – Practical Examination, 2020

Electronics – Honours

Paper – CC-1

Full Marks – 30

Time – 1hr 30 minutes

Send your answer scripts to: asutoshelta@gmail.com

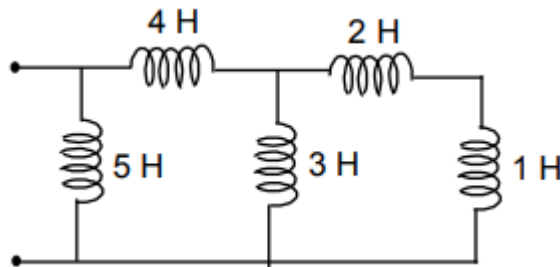
Answer any one question:

Q1. a) Find the theoretical value of

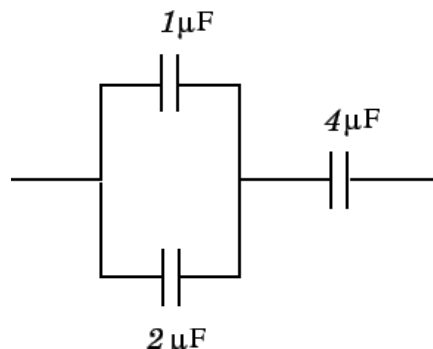
(i) Resistor with colour code : Blue Yellow Green Gold

(ii) Capacitor with code : 473J(5)

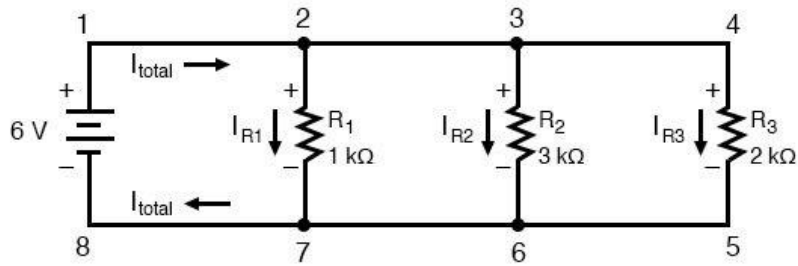
b) Find the equivalent inductance of the following circuit: (5)



c) Find the equivalent capacitance of the following circuit: (5)

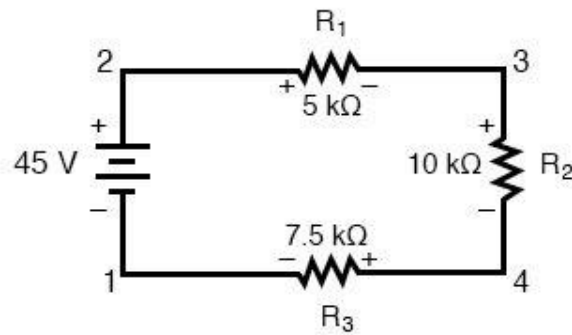


d) Verify the theorem of KCL for the following circuit: (7)



e) Verify the following

theorem of KVL for circuit:(8)



Q2. State Thevenin's theorem. Calculate Thevenin's voltage V_{th} and Thevenin's resistance R_{th} for Wheatstone bridge circuit. Draw the V_L-I_L curve and hence determine V_{th} and R_{th} from it. Verify the graphical values with the theoretical ones. (5+5+5+5+5+5)